

Aivia 200

A-MIP 200 Installation and Operating Manual



General Information

Important

Read this manual before installation and use of the Aivia. Read this section carefully and follow the instructions.

The warranty does not cover damage caused by failure to follow these instructions.

Never install an AIVIA in direct exposure to sunlight.

The unheated AIVIA must be installed in a temperate environment, in accordance with the manufacturer's specifications for the defibrillator.

The heated AIVIA must be installed in an environment that respects the operating temperatures of the AIVIA. You must monitor and follow up alerts related to temperature.

General Notice

The characteristics of the AIVIA are subject to change without notice.

The manufacturer of the AIVIA reserves the right to change products at any time, including unconstrained modifications to previously delivered products.

The AIVIA commercial brand is a registered trademark.

Safety

- To avoid risk of fire or electric shock, the AIVIA should not be placed near any naked flame.
- Leave a space of at least 13 cm around the AIVIA to assure proper ventilation.
- Keep the AIVIA away from radiators or any other heat source.
- Do not place the AIVIA near any devices that generate heat. Do not place anything under the AIVIA.
- To avoid damage, do not insert objects into any of the openings in the AIVIA.
- Never install the AIVIA in direct exposure to sunlight.
- Do not expose the AIVIA to any moisture when the door is open.
- The mountings must be adapted to the type of support on which the AIVIA is fixed.
- The manufacturer cannot be held liable for improper mounting or in the case of accident or injury during its mounting.

Warranty

Do not disassemble the various elements constituting the AIVIA.

Do not push objects into openings.

Only qualified personnel may carry out repairs on the AIVIA.

Failure to comply with this will void any warranty.

Any operation expressly prohibited, or assembly procedures not recommended by this manual, will also void the warranty.

Environmental information

- When returning the AIVIA, you should only use the original packaging.
- Do not dispose of the AIVIA or its packaging with normal household waste. Use the collection system in place in your area. The use of collection systems will help preserve the environment and your health.
- The AIVIA can contain batteries in compliance with EU Directives 2006/66/CE and 2008/103/CE. These cannot be disposed of with normal household waste. Please use the system for collecting used batteries in place in your area. The proper disposal of used batteries preserves the environment and your health.



Maintenance

CAUTION

**THE AIVIA CAN CONTAIN BATTERIES.
THERE IS A RISK OF EXPLOSION IF BATTERIES
CONTAINED USED BY THE AIVIA ARE REPLACED
BY INCORRECT BATTERIES.**

**ONLY A QUALIFIED OPERATOR IS AUTHORIZED TO
REPLACE THE BATTERIES.**

Compliance

EN 55022:2006

EN 55024: 1998/ A1 : 2001/ A2 : 2003

Contents

Installation

Important	4
Aivia presentation	4
Identification Label	4
Initial opening	4
Aivia Mounting	5
Connect power to the Aivia	6
Setting up the defibrillator	7
Installing seals	7
Pictograms	7

Use

Night mode operation	8
Heating option operation	8
Alarm operation	8
Using the Aivia	8
After using the defibrillator	8
Aivia Maintenance	8

Troubleshooting	9
------------------------	----------

Electrical Installation	10
--------------------------------	-----------

Power supply unit	10
-------------------	----

Specifications

Mechanical properties	11
Electrical properties	11
Compliance	11

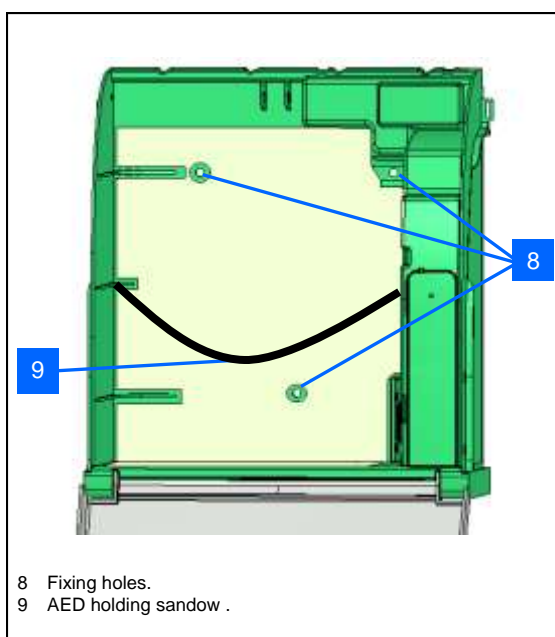
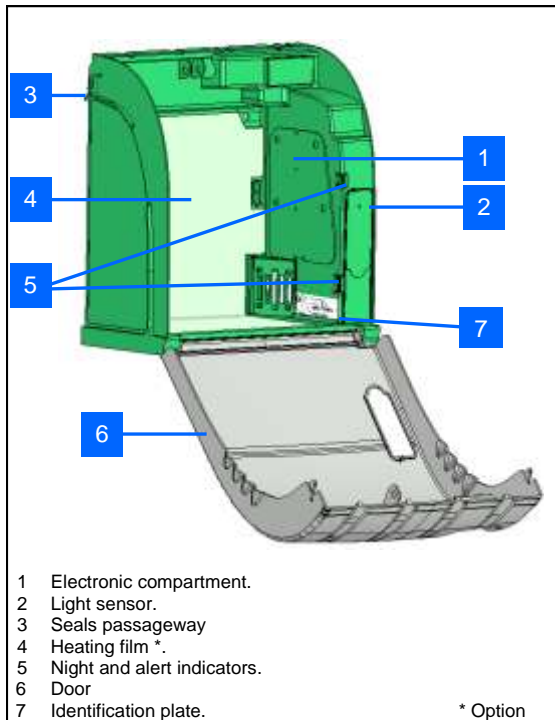
Installation

Important

Read this manual with caution before setting up and using the Aivia.

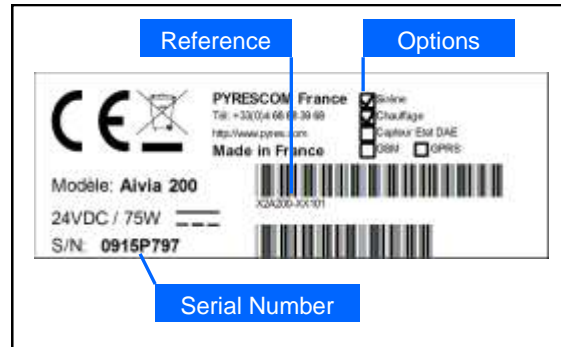
Never install Aivia under direct sunlight exposure. You risk exposing the defibrillator to excessive temperatures.

Aivia presentation



Identification Label

- The identification label is mounted inside the Aivia.



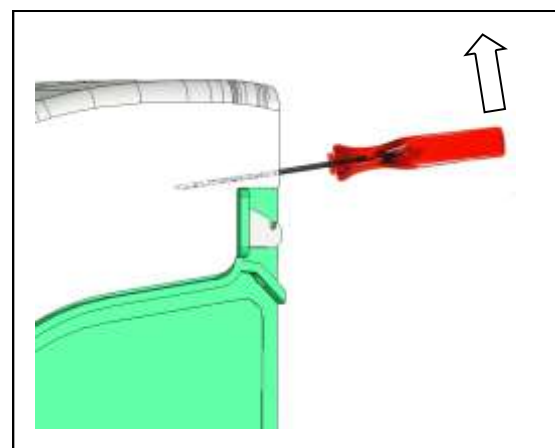
- For all communications with Customer Service or your representative, please have the Aivia reference number and serial number available.

Initial opening

- To open the Aivia door before wall mounting, use a small screwdriver.

- Slide the screwdriver between the door and the Aivia frame.

- Lift up the screwdriver, taking care not to mark the components.



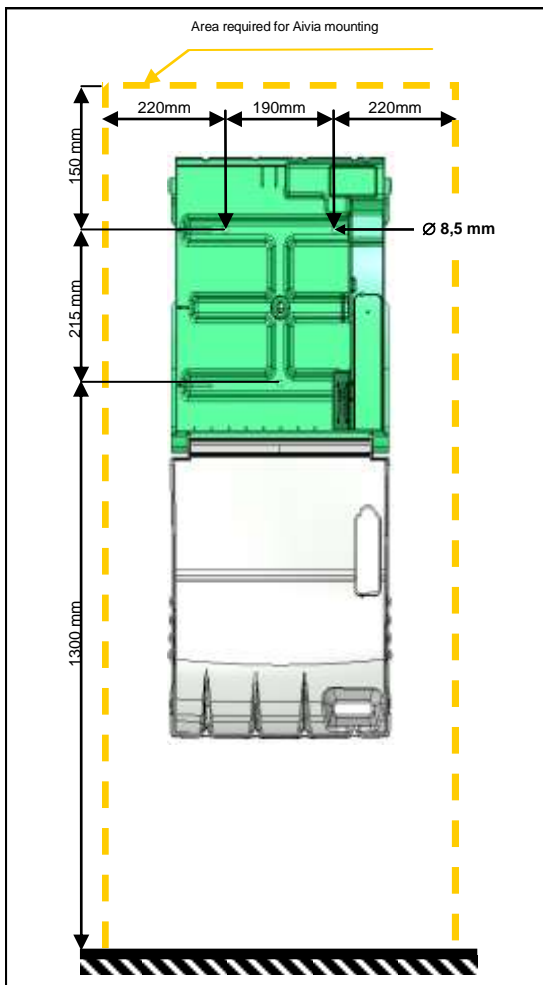
- Do this on both sides of the Aivia.

Installation

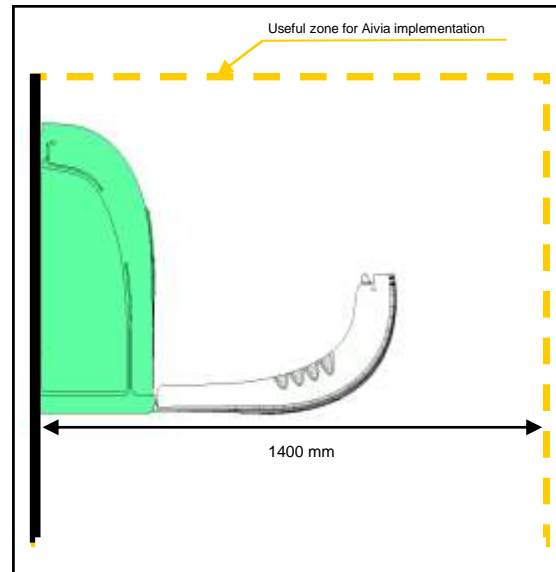
Aivia Mounting

Do not install Aivia exposed to direct sunlight. The defibrillator may be exposed to extreme temperatures.

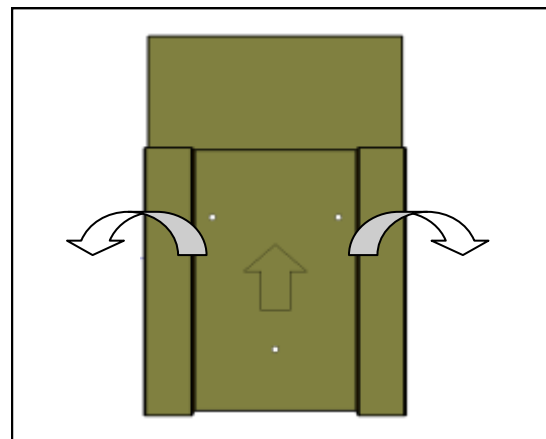
- Aivia installation must be performed by persons with the required professional expertise, **adhering to the Bornavie Charter**.
- If the Aivia is installed in a public area or passageway, provide a floor area (abutment) or a column, to conform with the Decree of January 15, 2007, "Technical requirements for free passageway" Article N°6-D.
- Mounting must be suitable for the type of substrate which the Aivia is attached to.
- Leave a free area for installing the Aivia as specified in the sketches below.
- The exact dimensions of the Aivia are provided at the end of this document in the Specifications section.
- Make sure that every cable has been taken thru the cable passage before affixing the Aivia to the wall.



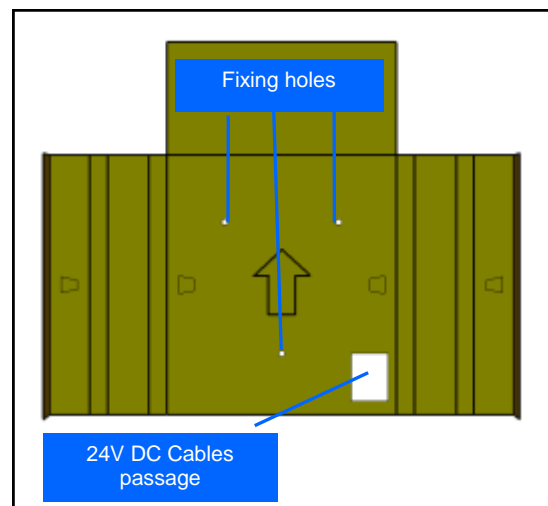
- Leave a 140 cm clear space in front of the Aivia wall mounting to allow door to open freely.



- Use the drilling template supplied with packaging to mark the mounting holes and cable entry on the wall.

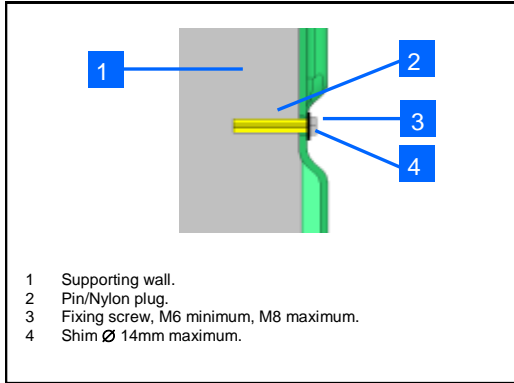


- Place the drilling template on the wall, arrow facing you and pointing up.



Installation

- Use suitable mounting method for the type of substrate on which Aivia is installed.
- Mounting must be able to support a minimum load of 20 Kg.
- Mounting example:

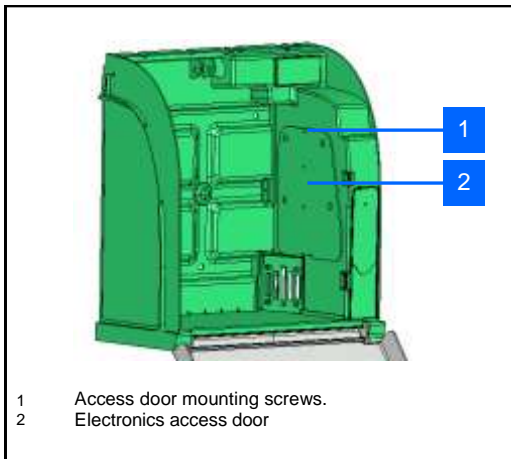


- The screw head washer set must not exceed 8mm thick.

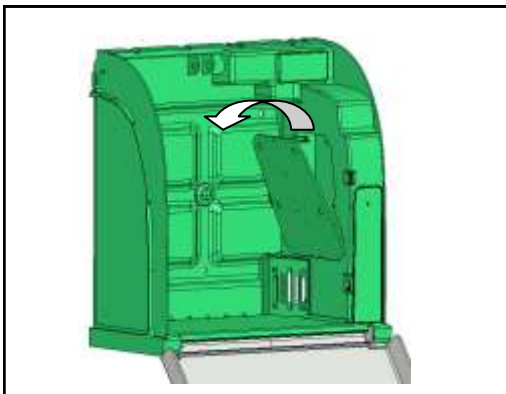
Use the 3 mounting holes to mount the Aivia.

Connect power to the Aivia

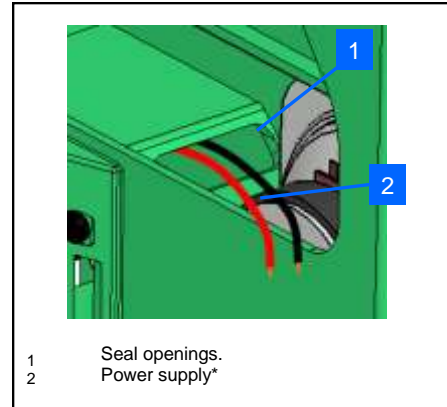
The Aivia must be supplied with 24VDC power, ensure compliance with the "Electrical Installation" section



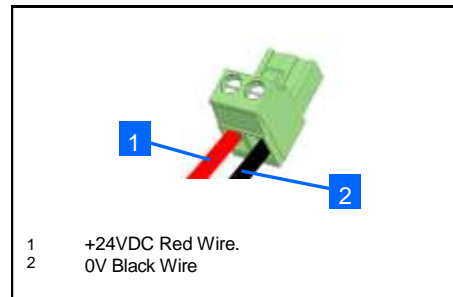
- Unscrew the door mounting screw with a star screwdriver and tip the door from above.



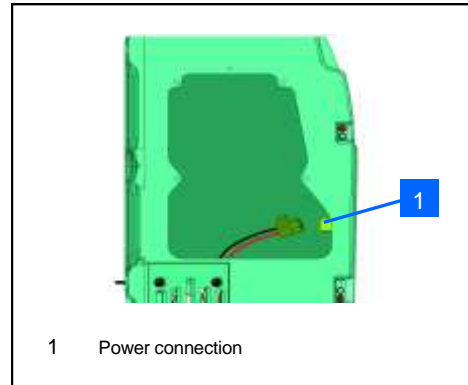
- Pass power wiring through the wiring pass through



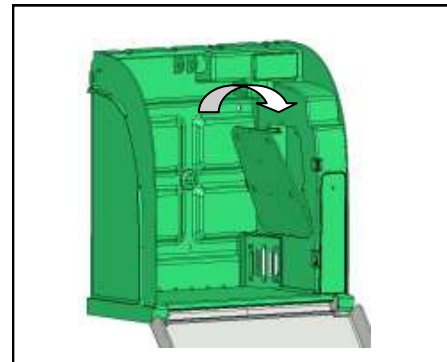
- Connect cables to the supply terminals, respecting proper polarity.



- Connect the terminal to the power connector.



Ensure that the Aivia is under power by checking that the red warning lights are blinking.



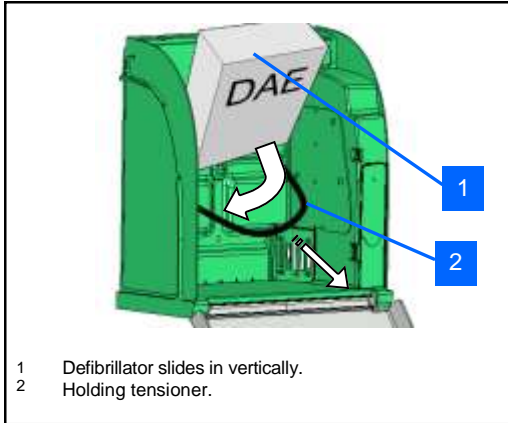
Replace the access door by insert the lower edge first.

- Insert mounting screws using a start screwdriver.

Installation

Setting up the defibrillator

Pull on the defibrillator holding tensioner and slide the defibrillator to the bottom of the Aivia.



- 1 Defibrillator slides in vertically.
- 2 Holding tensioner.

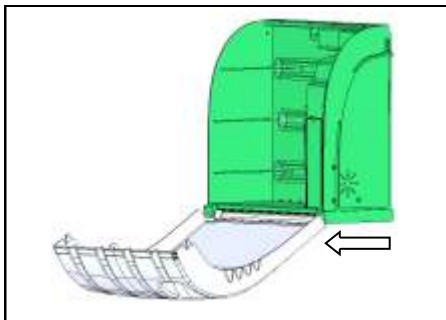
The tensioner allows the defibrillator to be easily removed in an emergency while ensuring that it is held properly.

Installing seals

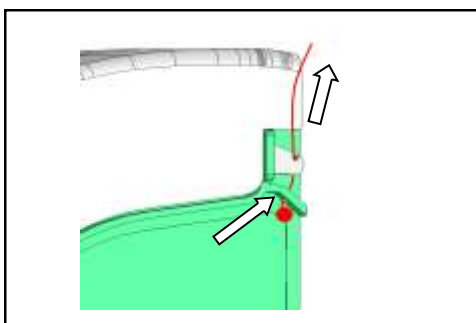
- The Aivia is shipped with two seal kits
- Seals give evidence of door opening
- Regularly inspect seal condition

Seal installation

- Completely close the Aivia door. Be sure to pull the door foot toward you before to swing the door

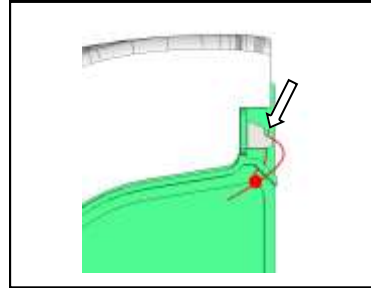


Slide the full length of the seal wire through the Aivia frame hole.

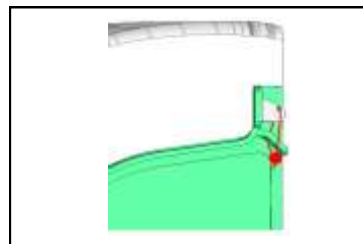


- Fold the wire over the door slot
- Thread the wire through the seal body.

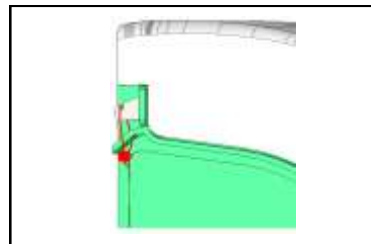
- Tighten the wire correctly, taking care not to break it. Make sure that the wire cannot be removed from the slot without being broken.



- Crimp the seal body with pliers and snip off the excess wire.



You must install seals on both sides of the Aivia.



- Regularly inspect seal condition
- If the Aivia seals have been opened, make sure that all items of the defibrillator are present and working properly. In case of any doubt, contact your defibrillator distributor.

Pictograms

The signs on the door of AIVIA inform you of what to do in an emergency.

You must mark the emergency number to call in the SOS pictogram if one is not already noted there.



- Ensure that these instructions remain legible and in plain view.

Use

Night mode operation

The Aivia is equipped with a light detector. In low ambient light, blinking white lights help identify the location of the Aivia.

Heating option operation

The heater allows the defibrillator operating temperature to be held within certain limits. In extreme cold, ensure that the temperature warning lights are not blinking red.

Ventilation allows hot air within the Aivia to escape. In hot weather, ensure that the temperature warning lights are not blinking red.

Alarm operation

Door opening alarm:

- When the door is opened, blinking red lights give a visual warning.
- If your Aivia is equipped with an audible alarm (Reference: X2A200-XX100 or X2A200-XX101) it will sound for about 3 minutes.
- Close the door to stop the alarm.

Temperature alarm:

- The temperature alarm, indicated by a continuously blinking red light when the door is closed, is triggered below 5° or above 40°.

Using the Aivia

If you are a witness of an incident requiring use of a defibrillator.

Call emergency services.

Speak in a strong, clear voice, describe the situation and specify the location of the incident.



Open the Aivia door by pulling the top.

The visual warning will be given by blinking red lights. If your Aivia is equipped with an audible alarm, it will sound for about 3 minutes.



• **Take hold of the defibrillator**



- **Go to the victim**
- **Activate the defibrillator**
- **Follow the defibrillator instructions**

After using the defibrillator

- Do not place the defibrillator back inside the AIVIA before reactivating it.
- Follow the instructions in the defibrillator's manual to reset it for use.
- The manufacturer may be able to help reactivate the defibrillator. Please feel free to contact them.
- After reactivating the defibrillator, replace it inside the AIVIA using the instructions in the section "Setting up the defibrillator."
- Replace the seal using the instructions in the section "Installing a seal".

Aivia Maintenance

Clean the surfaces of the Aivia using a soft damp cloth. Wipe the Aivia with a soft, clean and dry cloth. Do not use chemical products or cleaners, which may damage the Aivia.

Do not rub the Aivia with a hard object, which may scratch or permanently damage the surfaces.

Do not use any high pressure cleaner.

Regularly inspect seal condition

If the Aivia seals have been opened, make sure that all items of the defibrillator are present and working properly. In case of any doubt, contact your defibrillator distributor.

Troubleshooting

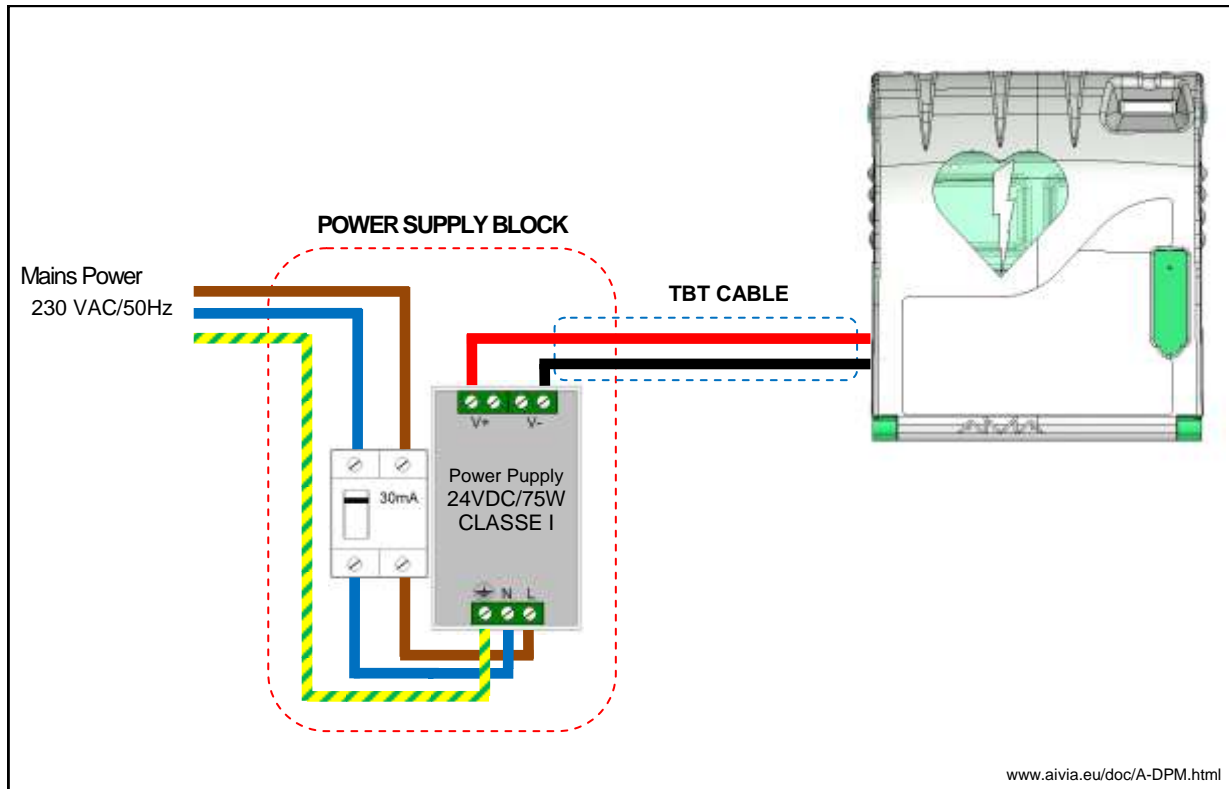
- When power is applied red lights do not blink.
 1. Check wiring polarity.
 2. Check power supply connection.
 3. Check voltage (24VDC) at the terminals.
 4. Check proper insertion into terminals
 5. Contact supplier.

- White lights do not blink in night operation.
 1. Check power to Aivia.
 2. Contact supplier.

- Red lights do not blink when the door is opened.
 1. Check power to Aivia.
 2. Contact supplier.

- Siren does not sound when door is opened.
 1. Check the Siren option on the identification label.
 2. Check power to Aivia.
 3. Contact supplier.

Electrical installation



Power Supply Block

Must be located outside the Aivia, never installed inside the Aivia.

- The power supply block must include:
 - A 10A/30mA residual current circuit breaker.
 - A 24VDC/75W CLASS II (TT System) power supply*.

The power supply must be from a power limited source.

The mains connection must include the primary phase, neutral, and earth.

The maximum full load secondary voltage drop must not exceed 2%, or 23.5V at the Aivia terminal.

The power block must be dust and water proof, and ventilated**.

- **The power block wiring must conform to standards on force in the country of use.**

* Recommended power supply: PYRESCOM C_AL/DR75-24.

** Natural or forced convection depending on the environment and thermal characteristics at maximum load.

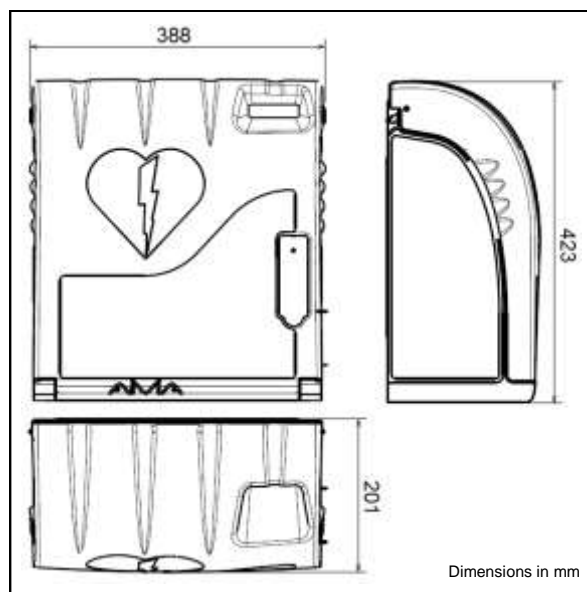
TBT CABLE:

Type U1000R2V. 2 insulated jacketed conductors, 1.5mm² area, 10 metres maximum length.

Use red or maroon colour cable for the +24V line.
Use black or gray colour cable for the 0V line.

Specifications

Mechanical properties



- Weight
 - X2A200-XX000: 2.7 Kg.
 - X2A200-XX100 (siren option): 3 Kg.
 - X2A200-XX100 (heating option): 2.9 Kg.
 - X2A200-XX100 (heating & siren option): 3.2 Kg.
- Materials:
 - Door: Polycarbonate.
 - Frame: ABS.
 - Bracket: ABS.
 - Trappe : ABS.

Electrical properties

- Power supply:
 - 24 VDC, 75 Watts, power limited source.
- Aivia operating temperatures:
 - Minimum: -20°C.
 - Maximum: 55°C.
- Temperature alarms:
 - Low temperature alarm: 5°C.
 - High temperature alarm: 40°C.
- Heating option:
 - (References: X2A200-XX001 or X2A200-XX101)
 - Heating setpoint: 13°C.
 - Ventilation setpoint: 27°C.
- Electrical consumption:
 - X2A200-XX000:
 - Minimum: 0.9 mA.
 - Maximum: 80 mA.

- X2A200-XX100 (siren option):
 - Minimum: 0.9 mA.
 - Maximum: 500 mA.
 - Sound level: 103 dB /1 metre.
- X2A200-XX001 (heating option):
 - Minimum: 0.9 mA. Maximum: 2000 mA.
- X2A200-XX101 (heating & siren option):
 - Minimum: 0.9 mA.
 - Maximum: 2400 mA.
 - Sound level: 103 dB /1 metre.

Compliance

EN 55022:2006

EN 55024: 1998/ A1 : 2001/ A2 : 2003

www.aivia.eu